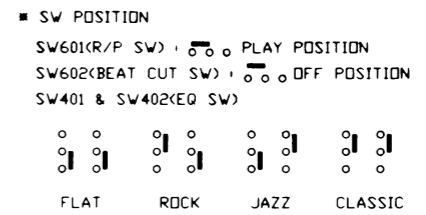
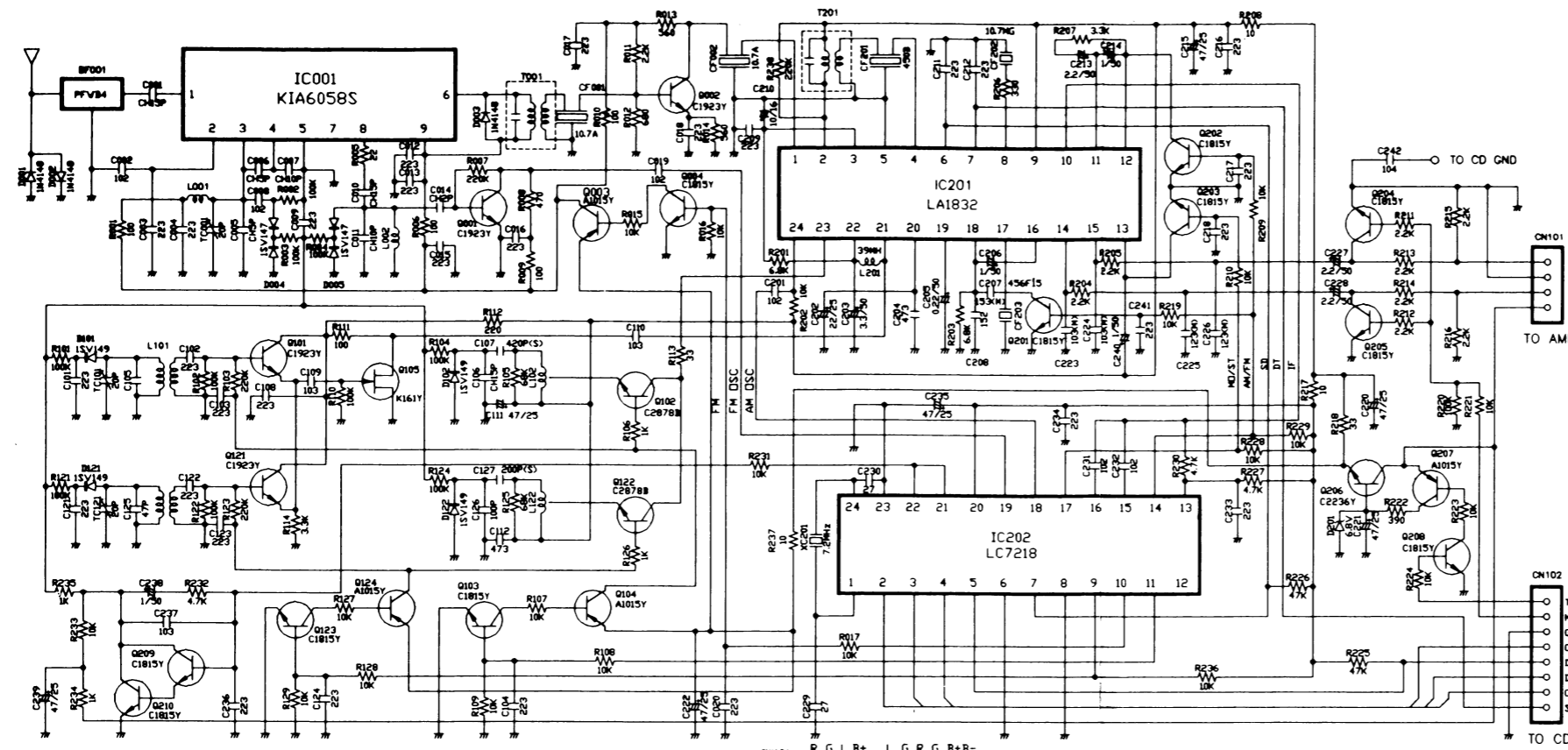


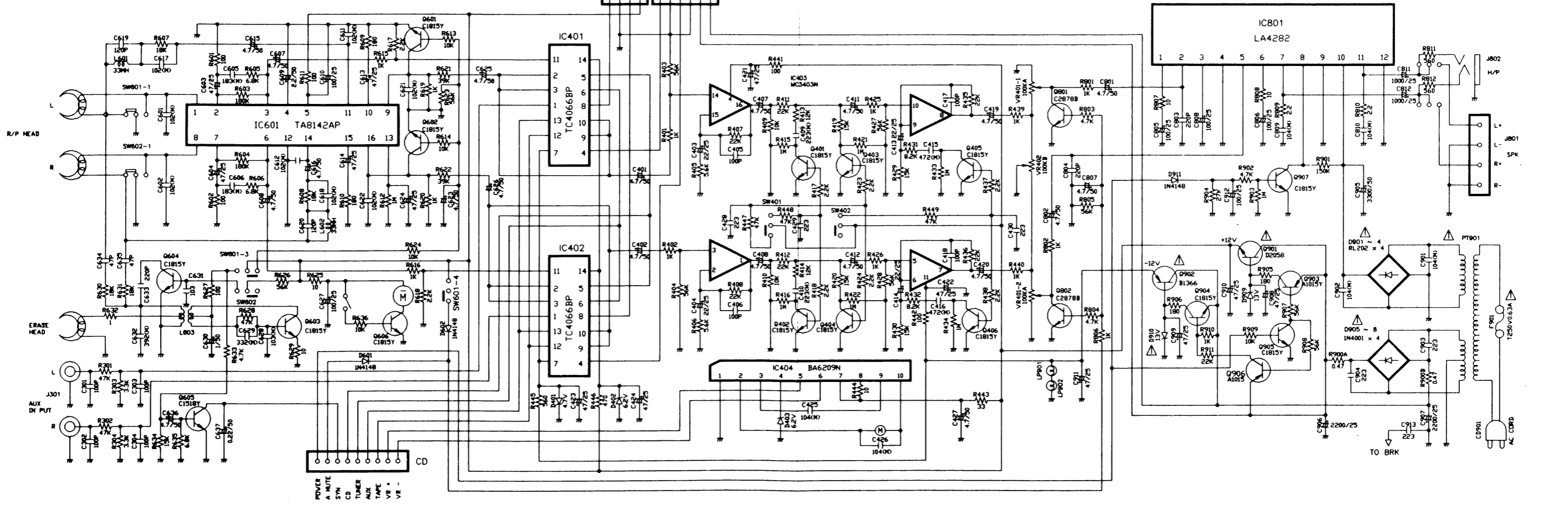
SW401 & 402



- NOTICE
- 1) ALL RESISTANCE VALUES ARE INDICATED IN OHM AND 1/6W OR 1/4W UNLESS OTHERWISE NOTICED, K=KILLIO, M=MEGA
 - 2) ALL CAPACITANCE VALUES ARE INDICATED IN MICRO PARADS, P=PICO PARADS
 - 3) THIS SCHEMATIC DIAGRAM MIGHT BE MODIFIED WITH DEVELOPMENT OF TECHNOLOGY.

- CAUTION
- THE MARK AND THE SHADED AREA IN THE PARTS LIST DESIGNATE COMPONENTS WHICH HAVE SPECIAL CHARACTERISTIC IMPORTANT FOR SAFETY AND SHOULD BE REPLACED ONLY WITH TYPES IDENTICAL TO THOSE IN THE ORIGINAL CIRCUIT OR SPECIFICATION IN THE PART LIST.

- SERVICE INFORMATION
- A. EACH PRECAUTION TO BE FOLLOWED DURING SERVICING.
 - B. INSTRUCTIONS FOR SERVICE PERSONNEL TO MAKE LEAKAGE CURRENT OR RESISTANCE MEASUREMENTS TO DETERMINE THAT EXPOSED PARTS ARE ACCEPTABLY INSULATED FROM THE SUPPLY CIRCUIT BEFORE RETURNING THE APPLIANCE TO THE CUSTOMER.



CD SCHEMATIC DIAGRAM

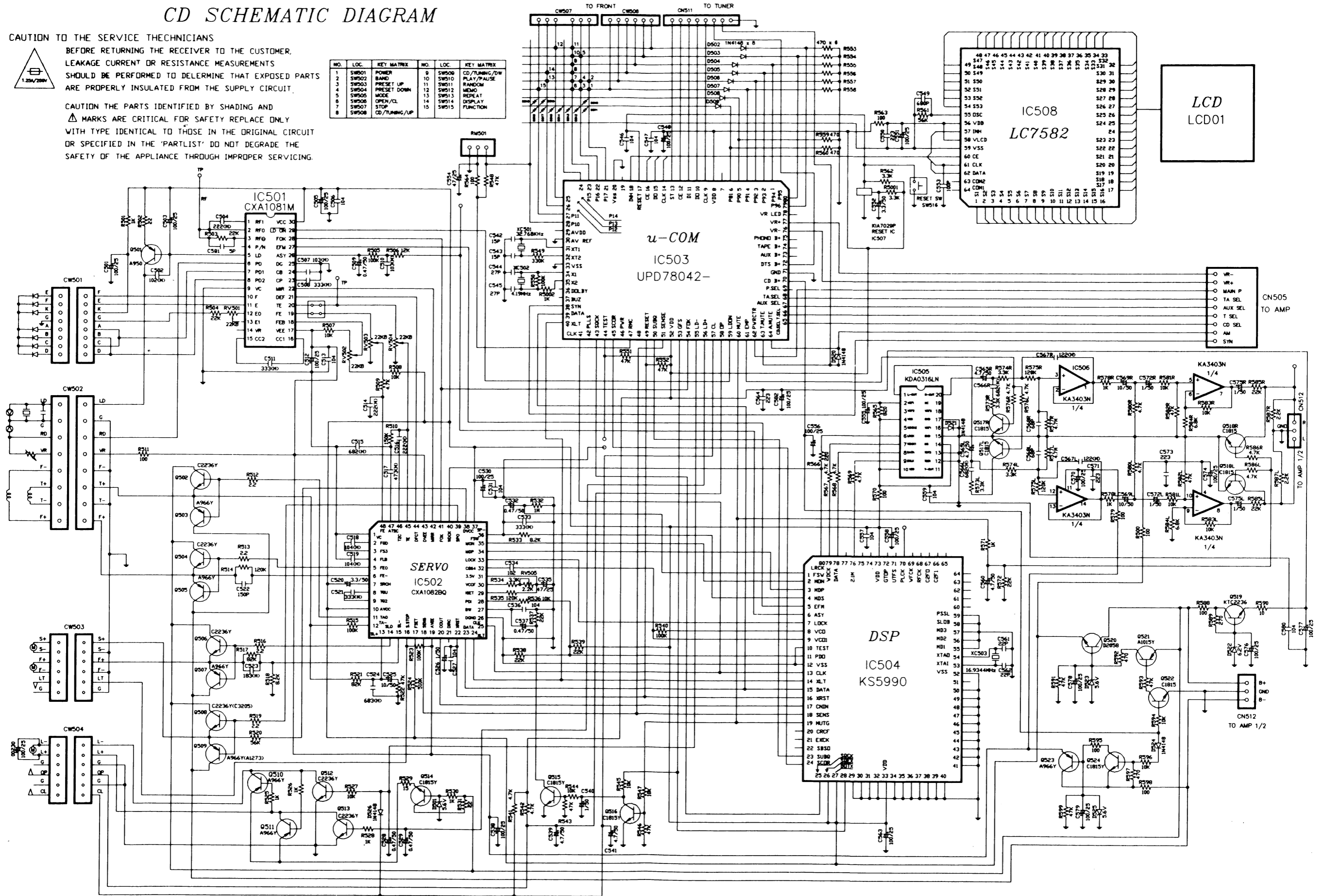
CAUTION TO THE SERVICE TECHNICIANS



BEFORE RETURNING THE RECEIVER TO THE CUSTOMER, LEAKAGE CURRENT OR RESISTANCE MEASUREMENTS SHOULD BE PERFORMED TO DETERMINE THAT EXPOSED PARTS ARE PROPERLY INSULATED FROM THE SUPPLY CIRCUIT.

CAUTION THE PARTS IDENTIFIED BY SHADING AND Δ MARKS ARE CRITICAL FOR SAFETY REPLACE ONLY WITH TYPE IDENTICAL TO THOSE IN THE ORIGINAL CIRCUIT OR SPECIFIED IN THE 'PARTLIST' DO NOT DEGRADE THE SAFETY OF THE APPLIANCE THROUGH IMPROPER SERVICING.

NO.	LOC.	KEY MATRIX	NO.	LOC.	KEY MATRIX
1	SW501	POWER	9	SW509	CD/TUNING/DW
2	SW502	BAND	10	SW510	PLAY/PAUSE
3	SW503	PRESET UP	11	SW511	RANDOM
4	SW504	PRESET DOWN	12	SW512	MEMO
5	SW505	MODE	13	SW513	REPEAT
6	SW506	OPEN/CL	14	SW514	DISPLAY
7	SW507	STOP	15	SW515	FUNCTION
8	SW508	CD/TUNING/UP			



IC508
LC7582

LCD
LCD01

u-COM
IC503
UPD78042-

SERVO
IC502
CXA1082BQ

DSP
IC504
KS5990

IC505
KDA0316LN

IC506
KA3403N

CN505
TO AMP

CN512
TO AMP 1/2